

GALS2200 Central Locking System (With Indicator)

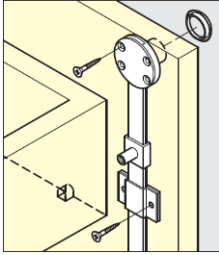
Features

- With indicator: Unlocked - Blue, Locked - Red
- 12 key changes available (max. 300 key changes on request)
- Master key system (170 key changes) available on request (1 master key only)
- Keys can be shared with other **G2200 Lock Series**
- Depth of the shelf can be adjusted according to the position of the lock pin

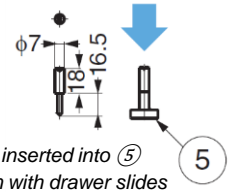
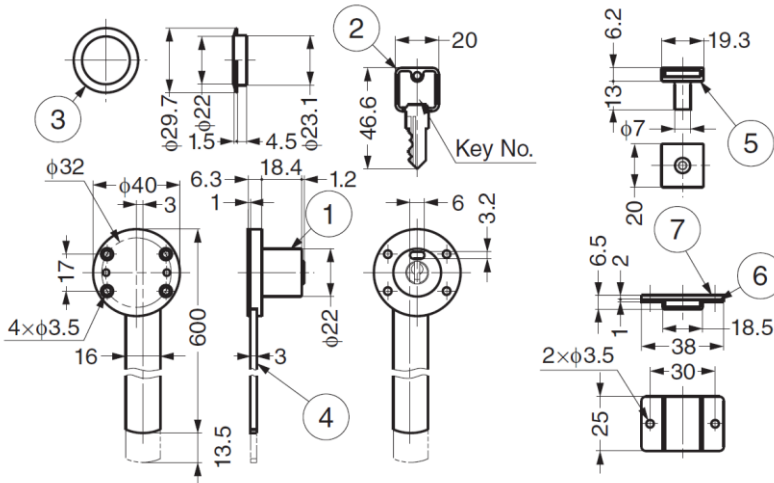
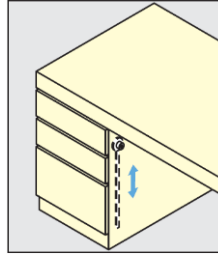
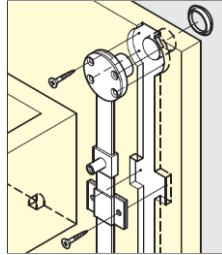
Parts Included

- Countersunk head wood screw 2.7×16
- Pan head wood screw 2.7×13

Surface Mounting



Mortise Mounting



No.	Part Name	Material	Finish
①	Body	Zinc Alloy (ZDC)	Satin Nickel
②	Key	Brass	Nickel
③	Ring	Brass	Satin Nickel
④	Guide Bar	Aluminum Alloy	-
⑤	Lock Pin	Zinc Alloy (ZDC)	Yellow Zinc Chromate
⑥	Guide	Steel	Nickel
⑦	Guide Plate	Steel	Nickel

Lock Set (① ~ ⑦)

Part No.	Key Type	Cylinder Diameter	Door Thickness
GALS2200-B	Keyed Differently	Ø 22	18
GALS2200-D	Keyed Alike		

Parts Set (⑤ ~ ⑦) (Sold Separately)

Part No.	Description	No.
GALS-LP	Lock Pin for All-Lock	⑤
GALS-G	Guide for All-Lock	⑥
GALS-GP	Guide Plate for All-Lock	⑦

Optional Locking Peg (Sold Separately)

Part No.	Material	Finish
GALS-KP	Steel	Nickel